



rugged. interactive

# NinjaPods

## Order and Installation Manual

For models from February 2021 onwards



### **Rugged Interactive**

Unit 1, Callywith Court  
Callywith Industrial Estate, Bodmin  
Cornwall, UK  
PL231 2RQ

+44 (0) 1726 981 123  
[www.rugged-interactive.co.uk](http://www.rugged-interactive.co.uk)  
[hello@rugged-interactive.co.uk](mailto:hello@rugged-interactive.co.uk)

Updated: 27/09/2023



**Rugged Interactive**  
Unit 1, Callywith Court  
Callywith Industrial Estate, Bodmin  
Cornwall, UK  
PL31 2RQ

+44 (0) 1726 981 123  
[www.rugged-interactive.co.uk](http://www.rugged-interactive.co.uk)  
[hello@rugged-interactive.co.uk](mailto:hello@rugged-interactive.co.uk)

# Contents

---

## **Section 1 – Ordering Process**

- 1.1 Need to Know
- 1.2 Order and Installation Checklist
- 1.3 Product Overview
- 1.4 Ordering and Installation Timeline
- 1.5 Getting Started
- 1.6 Place Order

## **Section 2 – Safety Guidelines**

- 2.1 Installation Safety Guidelines
- 2.2 In Play Safety Guidelines

## **Section 3 – Installation**

- 3.1 Parts List
- 3.2 Tools and Components List
- 3.3 Installation Overview
- 3.4 Detailed Installation

## **Section 4 – How to Use**

## **Section 5 – Programs Guide**

NinjaPods System Specifications

NinjaPods Installation Checklist

Next Steps



## Rugged Interactive

Unit 1, Callywith Court  
Callywith Industrial Estate, Bodmin  
Cornwall, UK  
PL31 2RQ

+44 (0) 1726 981 123

[www.rugged-interactive.co.uk](http://www.rugged-interactive.co.uk)

[hello@rugged-interactive.co.uk](mailto:hello@rugged-interactive.co.uk)

# Section 1 – Ordering Process

---

## 1.1 - Need to Know

### Installation manual purpose and limitations

This manual is intended to provide guidance only, the installation of the Rugged Interactive product will be under your control. You will be responsible for making sure, upon completion of the installation, it is safe to use. As always, we are here to support you, please get in touch if you are in any doubt.

### Regulations

Some countries and states have regulations which may be applicable to the Rugged Interactive products, it is your responsibility to check that the product complies with such regulations. This should be conducted during the planning phase for the installation location.



## Rugged Interactive

Unit 1, Callywith Gate  
Callywith Industrial Estate, Bodmin  
Cornwall, UK  
PL31 2RQ

+44 (0) 1726 981 123

[www.rugged-interactive.co.uk](http://www.rugged-interactive.co.uk)

[hello@rugged-interactive.co.uk](mailto:hello@rugged-interactive.co.uk)

## 1.2 - Order and Installation Checklist

---

- Contact the Rugged Interactive sales team or a partner / distributor to begin the process.
- Confirm the invoice and delivery address along with date required (lead time is at least 5 weeks), VAT number required for export customers.
- Complete site survey.
- Send purchase order or confirm order.
- Make first payment.
- Discuss graphic requirements and provide logos and branding guidelines.
- Approve graphics.
- Make second payment (required a week before dispatch).
- Schedule time and team members for installation.
- Before install, confirm all tools and components are prepared.
- Organise shipment (Customer collection or delivery organised by Rugged Interactive).
- Receive your order.
- Install the product.
- Test and complete installation checklist.
- Train the team on how to use the product.
- Reveal your new Rugged Interactive product to your guests and customers!



**Rugged Interactive**  
Unit 1, Callywith Gate  
Callywith Industrial Estate, Bodmin  
Cornwall, UK  
PL31 2RQ

+44 (0) 1726 981 123  
www.rugged-interactive.co.uk  
hello@rugged-interactive.co.uk

## 1.3 – NinjaPods Overview

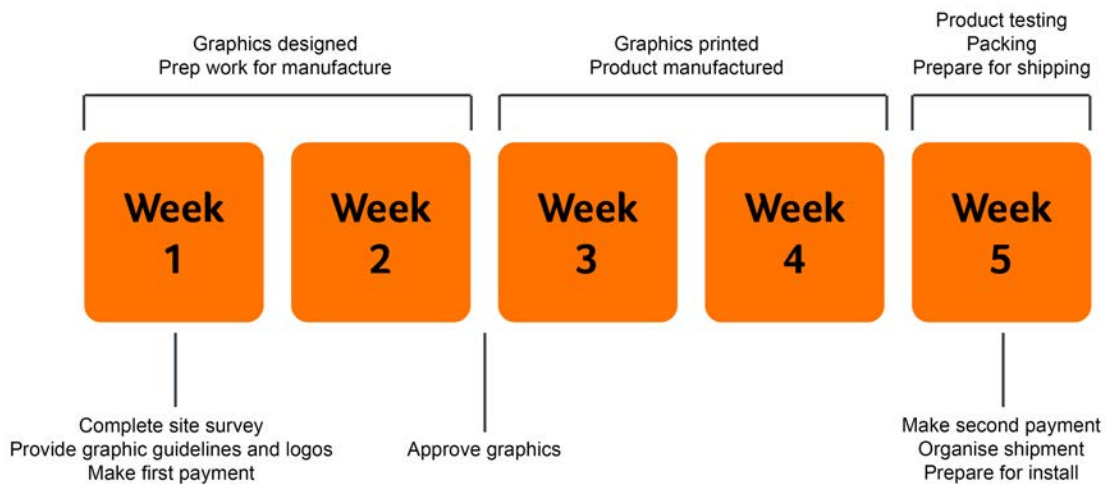
---

A large area interactive game that can be played in teams or as individuals. Scale obstacles and crawl through tunnels to find the illuminated pods. With two game modes Cascade and Chaser x4 users can play as one big team or split into 4 teams. A live scoreboard keeps players up to date with the score and at the end of the game time, the score or the winning team is revealed.

Great for events and parties.

## 1.4 - Order and Installation Timeline

---



\*We do our best to ensure orders are ready on a five-week lead time, however during busy periods or for large orders, the lead time may be longer than outlined here. Lead time will also be affected by graphics guidelines, approval and payment delays.



## Rugged Interactive

Unit 1, Callywith Court  
Callywith Industrial Estate, Bodmin  
Cornwall, UK  
PL31 2RQ

+44 (0) 1726 981 123

[www.rugged-interactive.co.uk](http://www.rugged-interactive.co.uk)

[hello@rugged-interactive.co.uk](mailto:hello@rugged-interactive.co.uk)

## 1.5 - Getting Started

---

### New Parks

During the design process for the new park, incorporate the intended products into the design, product specifications can be found within this manual for the relevant product and CAD files can be supplied upon request.

### Existing Parks

When retrofitting existing parks, all specifications can be found within this manual or CAD files are available at request. If further information is required, please get in touch and we will be able to provide further information and guidance.

## 1.6 - Place Order

---

To begin the order process with Rugged Interactive:

Email:

[Sales@rugged-interactive.co.uk](mailto:Sales@rugged-interactive.co.uk)

Or call the Sales Office:

+44 (0) 7585 955 184

**HQ/Production Address:**

Unit 1 Callywith Court  
Callywith Ind. Estate,  
Bodmin,  
Cornwall  
UK  
PL31 2RQ

**Sales Office Address:**

Rugged Interactive,  
Future Space,  
UWE North Gate,  
Filton Road,  
Bristol,  
UK  
BS34 8RB



## Rugged Interactive

Unit 1, Callywith Court  
Callywith Industrial Estate, Bodmin  
Cornwall, UK  
PL31 2RQ

+44 (0) 1726 981 123

[www.rugged-interactive.co.uk](http://www.rugged-interactive.co.uk)

[hello@rugged-interactive.co.uk](mailto:hello@rugged-interactive.co.uk)

# Section 2 - Safety Guidelines

---

## 2.1 Installation Safety Guidelines

Before installing any Rugged Interactive product, please read the following:

### Dos:

- Ensure that a Site Survey form has been completed prior to installation.
- Have ready suitable equipment, tools and/or man power.
- Observe correct manual handling techniques whilst moving and installing the equipment.
- If being installed onto a wall, the product **MUST** be mounted onto a wall of a construction capable of supporting its weight and gameplay. If possible, avoid stud walls or unsupported portal infills. If in doubt always contact a suitably qualified surveyor to check.
- Visually check the product for any signs of damage, component failure and/or missing parts.
- To prevent electric shock, keep all electric components away from contact with water.
- Ensure to take anti-static precautions.
- Wear appropriate clothing: do not wear loose clothing or jewellery.
- Long hair should be tied back.
- Tidy back loose cables that could become a tripping hazard.
- Ensure that the playing area is clear.
- Immediately inform Rugged Interactive for maintenance advice if you have concerns.

### Don'ts:

- Do not wear shoes with leather soles or high heels.
- Do not use any tools that are not specifically recommended by the manufacturer.
- Do not use the surface of the trampoline to balance ladders or alike.
- Do not distract others while they are installing the product.

## 2.2 In Play Safety Guidelines

Please ensure you read the following points before using the equipment:

**This activity can be great fun, but it can also be dangerous. There is a risk of serious injury if care is not taken when using the equipment. Use of this equipment is physically demanding: this is a high-impact, full body activity which requires intense focus, awareness of your body's strengths and limitations, awareness of the environment around you and extreme caution.**

### **Dos:**

- Before beginning any exercise program, it is recommended that you consult with your doctor.
- Children under the age of 7 years must always be supervised by an adult (over 16 years) when using the equipment and/or recommended accessories.
- Visually check the equipment before using it for any signs of damage, component failure or loose cables that could become a tripping hazard. Report any concerns, e.g. loose or damaged equipment, to a member of staff immediately.
- Ensure you familiarise yourself with any additional facility rules that may apply.
- Ensure that the play area is clear before attempting to participate.
- Only participate if you are in good physical condition. Participate only within your capabilities / recommended exercise level.
- Wear appropriate clothing.
- Remove all items from your pockets prior to participation.
- Long hair should be tied back.
- Before use, loosen up with warm up exercises and stretches.
- Always remain in control. Uncontrolled jumps or falls are likely to result in injuries to yourself and/or others.
- Only those participating are allowed in the activity area. If waiting to participate, stand back at a safe distance from the equipment.
- Make sure you have control before leaving the trampolines, obstacles or activity equipment.
- Report any unusual or inappropriate behaviour to a member of staff immediately.
- If you get tired, leave the equipment / activity area and take a break.
- If you feel any pain, dizziness, nausea or any other abnormal symptoms, STOP YOUR WORKOUT IMMEDIATELY. Consult your doctor immediately. Incorrect or excessive training may lead to injuries.



**Don'ts:**

- No more than one active user on a single trampoline at any one time.
- Do not attempt to use any of the equipment without undertaking instruction / training carried out by an appropriate instructor.
- Do not participate if you are unwell or have any pre-existing medical conditions including heart, back, neck, bone and/or muscle conditions.
- Do NOT work to exhaustion.
- Do not participate if you are or maybe pregnant.
- Do not wear loose clothing or jewellery (including studs and watches). Clothing should not have any hard or sharp points (such as buckles, studs, toggles or alike).
- Do not wear shoes with leather soles, high heels, sandals, boots or bare feet.
- No food, drink or chewing gum during participation.
- No phones or cameras in the activity area.
- Do not leave clothing or personal belongings around the activity areas.
- Do not participate under the influence of alcohol and/or drugs.
- Do not attempt any move beyond your own skill level.
- Never attempt flips or other extreme moves unless you know you are capable and have had the appropriate training.
- No double flips, triple flips, diving or gainers, even if you are capable.
- Do not distract others while they are using the equipment.
- Do not attempt to catch anyone who may fall.
- Do not sit, lie, stand or rest under the activity equipment and/or surrounding padding/mats.
- Never lean on, jump on, climb, grab, or lift any safety pads or safety nets.
- Do not use any accessories that are not specifically recommended by the manufacturer. These might cause injuries or cause the equipment to fail.



## Rugged Interactive

Unit 1, Callywith Gate  
Callywith Industrial Estate, Bodmin  
Cornwall, UK  
PL31 2RQ

+44 (0) 1726 981 123

[www.rugged-interactive.co.uk](http://www.rugged-interactive.co.uk)

[hello@rugged-interactive.co.uk](mailto:hello@rugged-interactive.co.uk)

# Section 3 - Installation

---

## 3.1 - Parts List

Please check off the received parts for the installation and alert Rugged Interactive immediately if anything is missing.

- |  |                          |
|--|--------------------------|
| 16 x Pods in moulding.   | <input type="checkbox"/> |
| 16 x Pod mounting plates.  | <input type="checkbox"/> |
| 64 x Pod fixing bolts.   | <input type="checkbox"/> |
| 1 x Control box.   | <input type="checkbox"/> |
| 4 x Control box mounting brackets including 12 x M5 x 12mm screws. | <input type="checkbox"/> |
| 1 x Hub box.   | <input type="checkbox"/> |
| 4 x Hub box mounting brackets including 12 x M5 x 12mm screws.     | <input type="checkbox"/> |
| 1 x Set of connection cables.                                      | <input type="checkbox"/> |
| 1 x Power lead.  | <input type="checkbox"/> |
| 1 x Spare Pod.   | <input type="checkbox"/> |
| 1 x 49" Display screen with pre-installed splitter.                | <input type="checkbox"/> |
| 1 x Display screen mount.  | <input type="checkbox"/> |
| 1 x Poster.  | <input type="checkbox"/> |
| Manual.  | <input type="checkbox"/> |

## 3.2 - Tools and Components List

---

Arrange the necessary tools and the team to install the product.

- Ladder.
- Jigsaw.
- Hole saw.
- Industrial vacuum cleaner.
- Dustpan and brush.
- SDS impact drill.
- Cordless drill – with torque adjuster to avoid over-tightening the screws.
- A set of No.2 Pozi bits.
- A set of screwdrivers.
- A set of Hex keys



**Rugged Interactive**

Unit 1, Callywith Court  
Callywith Industrial Estate, Bodmin  
Cornwall, UK  
PL31 2RQ

+44 (0) 1726 981 123

[www.rugged-interactive.co.uk](http://www.rugged-interactive.co.uk)

[hello@rugged-interactive.co.uk](mailto:hello@rugged-interactive.co.uk)

## 3.3 - Installation Overview

---

Below is an overview of the steps needed to install NinjaPods. More detail for the process is provided in the following pages. Please read through ALL of this prior to beginning the installation and if you are in any doubt, contact Rugged Interactive.

If you have any concerns on how or what the product is installed to, contact a structural engineer prior to beginning the installation.

**STEP 1:** Assign positions for Pods, Hubs, Control Box and Screens.

**STEP 2:** Install Control Box and Hub Box in a suitable position.

**STEP 3:** Install all pods and connect via CAT5 cables to Hub Box.

**STEP 4:** Install display screens.

**STEP 5:** Connect all cables, all elements are connected to the Control Box.

**STEP 6:** Check all is secured, stress relief cables.

**STEP 7:** Turn on and test.

**STEP 8:** Enjoy NinjaPods!



**Rugged Interactive**  
Unit 1, Callywith Court  
Callywith Industrial Estate, Bodmin  
Cornwall, UK  
PL31 2RQ

+44 (0) 1726 981 123  
www.rugged-interactive.co.uk  
hello@rugged-interactive.co.uk

## 3.4 – Detailed Installation

---

Read this manual before installing NinjaPods.

### Installation Guidelines:

- Complete the **Site Survey** form prior to delivery and/or installation.
- Send a completed **Installation Checklist** after any installation to Rugged Interactive.
- A typical installation should take 1 day.
- No obstructions or protrusions in the installation area: e.g. skirting boards, pipes, cables and wiring conduits.
- Avoid trapped and/or pinched cables.
- Use good practice when running data cables to and from products, external pods and sensors. Support long cables at least every 50 cm and provide adequate strain relief for connection points.
- To prevent electric shock, keep all electric components away from contact with water.
- **IMPORTANT:** Take anti-static precautions.

### Structure:

- Mount onto a suitable surface. Pods should be installed to round or square metal poles, prior to vinyl or padding being added. Screens and control boxes should be installed to a suitable surface, between cross members or to 18 mm plywood (12 mm minimum) mechanically mounted to a steel framework (50 mm box minimum) is recommended. The plywood should be covered with foam-backed vinyl.
- Avoid clashing the steel uprights with the fixing holes.
- Do not fix to plasterboard faced partition. Avoid stud walls or unsupported portal infills.
- The layout of the NinjaPods pods is at the discretion of the installer.

### Fixings:

- The manufacturer will supply fixings and plugs.
- All fixings must be tight and secure.

### Installation Heights:

- Take into consideration the primary user groups when determining the installation height.
- The Display Screen should be out of reach of users but easily visible.
- Pod 1 and 2 should be in an easy to reach location and at the start of the arena as these pods act as the game starts.

### Operating Environment:

- Keep out of direct sunlight; bright sunlight can affect the LED pod sensors.
- Keep indoors and dry.

## **NinjaPods Order and Installation Manual:** *Installation*

- Optimum ambient temperature: 5°C to 30°C. Avoid extreme fluctuations of temperature.

### **Other Recommendations:**

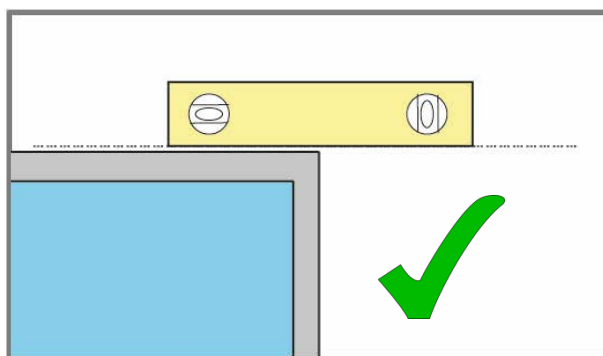
- Instruction / training carried out by an appropriate instructor to all new users.
- A waiting / spectating area positioned nearby is advised.

**IF YOU ARE IN ANY DOUBT, CALL RUGGED INTERACTIVE DIRECTLY ON +44 (0) 1726 833 882.**

## NinjaPods HUB Box Installation

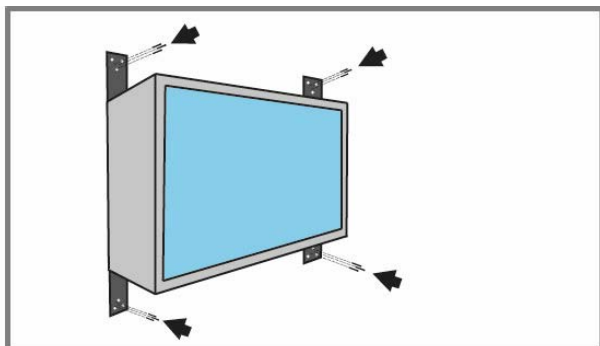
- The HUB Box contains the HUB that controls the pods.
- Fix HUB using any suitable self-tapping or wood screws into the surface material or strong cable ties if suspending outside of the arena play area.
- The HUB does not need to be visible so a position to assist the installation is recommended.
- The HUB will need to connect to the Control Box via a CAT5 Cable.
- **Note:** Cables exit from the bottom of the rear box.

01



Hold the main body in place, and ensure it is level.

02



Use appropriate fixings and mount the Hub box to an appropriate position.



**Note:** Make sure everything is tight and secure and that no cables are trapped.



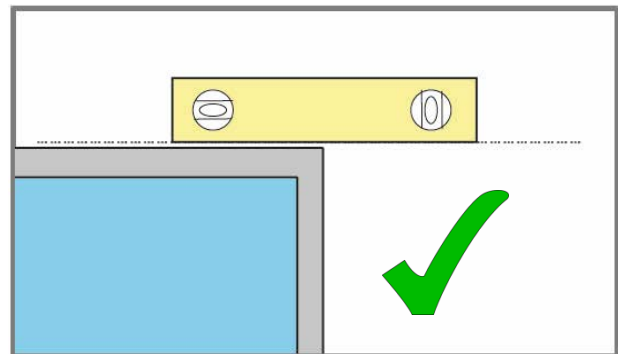
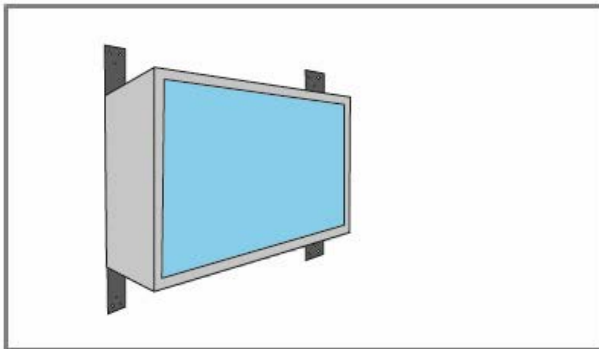
**Note:** The rear box is intended to be used to coil and hide cable excess.



## NinjaPods Control Box Installation

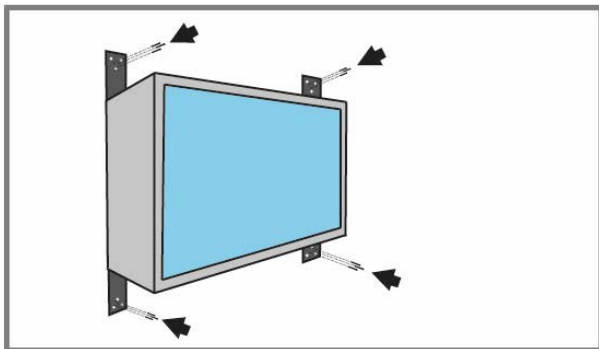
- The control box contains the NUC which controls the whole system and a splitter for the display screens (requires two power sockets).
- The control box can be installed in the same way as the Hub Box; however, this is only a single thickness box.
- Fix the control box using any suitable self-tapping or wood screws into the surface material.
- **Note:** Cables exit is at the bottom edge of the box.

01



Hold the main body in place, and ensure it is level.

02



Use appropriate fixings and mount the display box to the wall.

**Note:** Make sure everything is tight and secure and that no cables are trapped.

## NinjaPods Pod Installation

- The pods should be installed prior to padding and vinyl being added to the piping.
- The pods can be installed to either box or round piping and feature a cut out on the rear for each.
- Pods are connected to the HUBs via CAT5 cables.

01

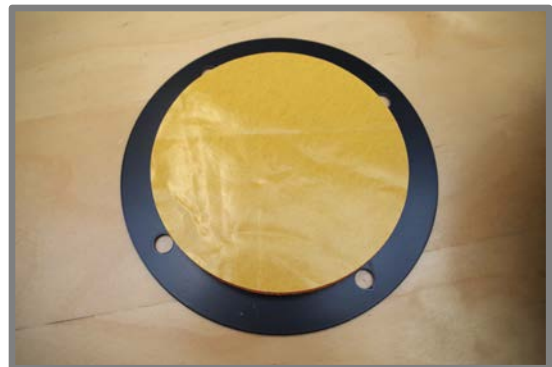


Each pod will be supplied with the pod, a backplate with adhesive pads, bolts and washers.

02



Position pod on the exposed pole in the desired orientation for gameplay.



Remove cover from adhesive pad and align to the rear of the pod.

03



Attach bolts and tighten until firmly in place.

04



Connect appropriate length CAT5 cable to the pod's hanging cable that will return to the Control box.

05



Tuck the hanging cable and head of the CAT5 cable inside the recess in the pod. Cable excess can be fed into this recess too.



Push the supplied stopper into the hole being sure the cable is sitting in the small recess to the side of the main hole.

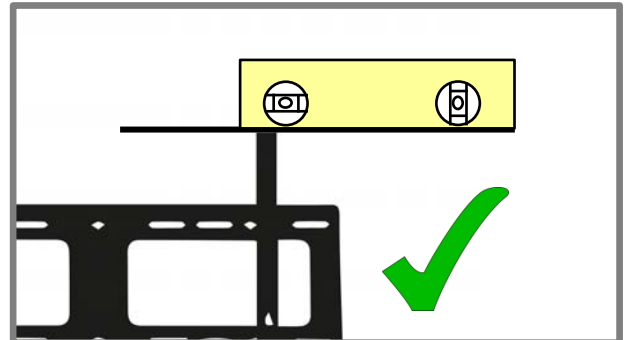
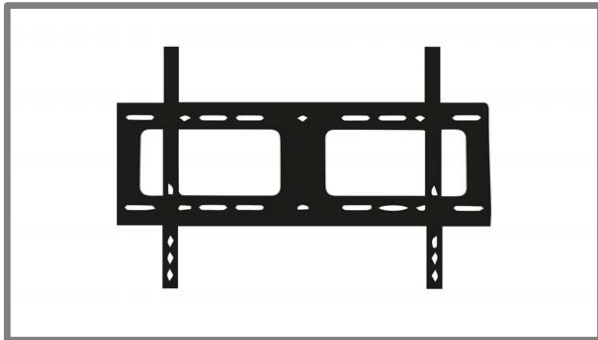
**NOTE:** Pod number 1 and 2 start the games when in standby mode, therefore should be positioned in an easy to reach location near the entrance or start of the area NinjaPods is being installed.

These two pods will be supplied with rings labelled with the game name.

## NinjaPods Screen Installation

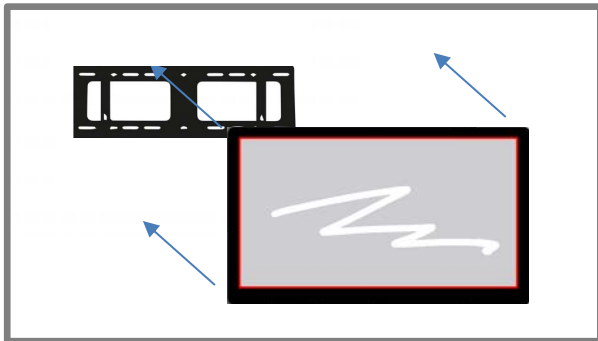
- The screen is to be installed in a suitable position around the event, the screen will display the in-game scores.
- Screens should be positioned in easily visible positions that users will not make contact with.
- The screens are connected to a small splitter via HDMI, the splitter will need to connect via CAT5 cable to the Control Box.
- The splitter is pre-installed to the rear of the screen.

01



Install the supplied screen mount to a suitable position around the event area. Use suitable screws. Ensure it is firmly attached and level.

02



Attach the second part of the screen mount to the screen.

Line the screen to the mount and connect. Ensure it is securely mounted in place.

## Connecting NinjaPods

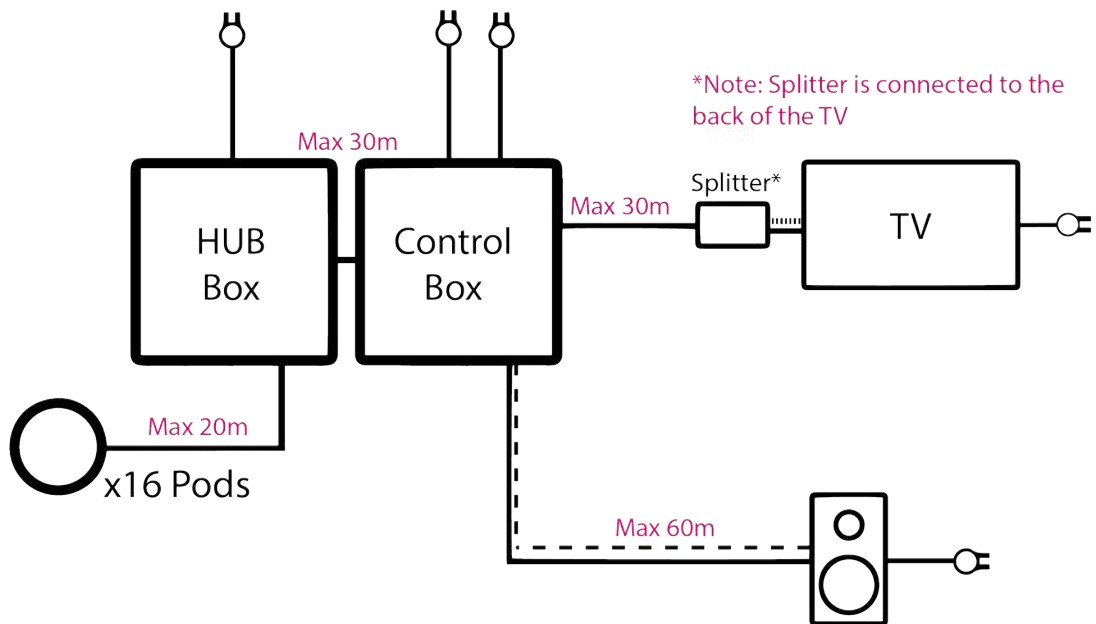
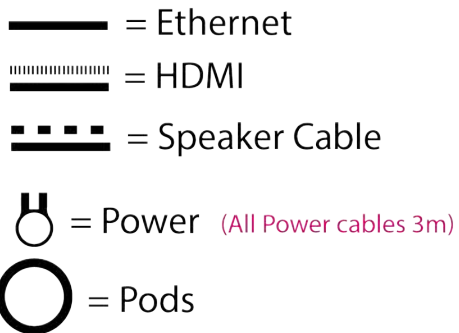
- All cables will be supplied.



HUB Box (Double Box)



Control Box (Single)







## Rugged Interactive

Unit 1, Callywith Court  
Callywith Industrial Estate, Bodmin  
Cornwall, UK  
PL31 2RQ

+44 (0) 1726 981 123

[www.rugged-interactive.co.uk](http://www.rugged-interactive.co.uk)

[hello@rugged-interactive.co.uk](mailto:hello@rugged-interactive.co.uk)

## Section 4 - How to Use

---

### 4.1

NinjaPods has **two programs**:

1. **Cascade** – 1 minute
2. **Chaser X4** – 1 minute

NinjaPods will feature two **red pods** (cable two and three). These will be labelled with the game name. Hit a QuickStart button to start the program.

**NOTE:** At any time, if NinjaPods behaves unexpectedly, wait for at least 30 seconds for the unit to reset to its idle state.



## Rugged Interactive

Unit 1, Callywith Gate  
Callywith Industrial Estate, Bodmin  
Cornwall, UK  
PL31 2RQ

+44 (0) 1726 981 123

[www.rugged-interactive.co.uk](http://www.rugged-interactive.co.uk)

[hello@rugged-interactive.co.uk](mailto:hello@rugged-interactive.co.uk)

# Section 5 - Programs Guide

---

## Cascade

- Summary:** A high intensity challenge of speed and visual awareness. Ideal for developing and challenging physical coordination, hand-eye coordination, core stability and reaction time and speed. A fast and high scoring game.
- Who for:** Play individually, in pairs or as a team.
- Gameplay:** All pods will illuminate. The pods will firstly appear **blue**, then change to **green**, then **yellow**, then finally **red**. Each colour change takes 3 seconds - therefore 12 seconds in total before a pod position change. Once all lit pods are cleared, a new set of lit pods will appear.
- Aim:** To score as many points as possible with in the given time limit by hitting the illuminated pods.
- Scoring system:** +4 points for each **blue pod** hit  
+3 points for each **green pod** hit  
+2 points for each **yellow pod** hit  
+1 point for each **red pod** hit
- Duration:** 1 minute.

**NOTE:** At any time, if NinjaPods behaves unexpectedly during gameplay, wait for at least 30 seconds of inactivity for the unit to reset to its idle state.



## **Chaser X4**

- Summary:** A pure speed and reaction challenge which also tests peripheral vision and spatial awareness. A mental and physical test, encouraging competition, cooperation and social interaction. A game that requires accuracy, problem solving and patience to reach a high score.
- Who for:** 1-4 individual players or teams. Best played in a group – challenge each other to the highest score.
- Gameplay:** 1 **red** pod, 1 **blue** pod, 1 **green** pod and 1 **yellow** pod are lit at random. On selection of a coloured pod, it reappears elsewhere. I.e. if the **red** pod is hit, the **red** pod reappears elsewhere. This would be the same for the **blue**, **green** and **yellow** chaser pod. Each player chases his or her chosen coloured pod.
- Aim:** To hit as many lit pods with in the given time limit as possible.
- Scoring system:** +1 point for each pod hit
- Display at the end of the game will display “BLUE WINS” or “GREEN WINS” or “RED WINS” or “YELLOW WINS” depending on who has the highest score.
- Duration:** 1 minute.

**NOTE:** At any time, if NinjaPods behaves unexpectedly during gameplay, wait for at least 30 seconds of inactivity for the unit to reset to its idle state.



## Rugged Interactive

Unit 1, Callywith Court,  
Callywith Industrial Estate,  
Bodmin, Cornwall, UK  
PL31 2RQ

+44 (0) 1726 981 123

[www.rugged-interactive.co.uk](http://www.rugged-interactive.co.uk)

[hello@rugged-interactive.co.uk](mailto:hello@rugged-interactive.co.uk)

# NinjaPods System Specifications

---

## Dimensions and Weights:

	Approx. Shipment Details		Fully Assembled Details	
	Size (mm)	Weight	Size (mm)	Weight
NinjaPods Pod ( <i>single unit</i> )	-	-	246 Ø x 100	1 kg
Control Box	-	-	380 x 75 x 380	4 kg
Hub Box	-	-	380 x 150 x 380	5 kg
Scoreboard Screen	-	-	1120 x 75 x 650	10 kg

### Power Supply:

AC: 110-230V, 50-60Hz, 13A

### Warranty:

1 year on electronics. 3 years on all other parts.

### Regulatory Requirements:

CE Approved.

### Operating Environment:

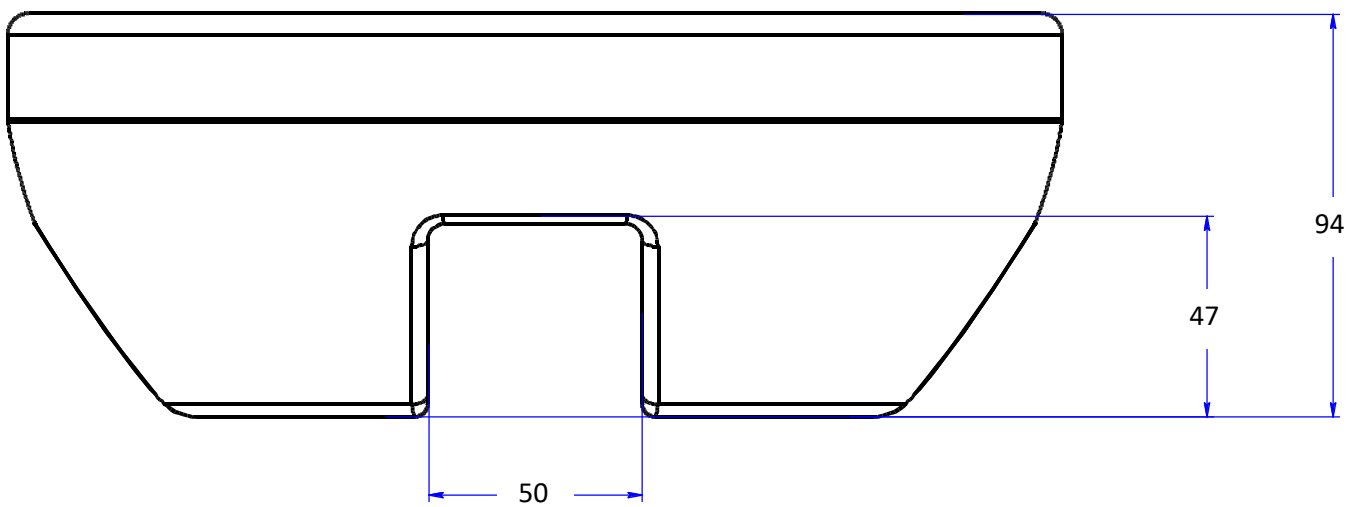
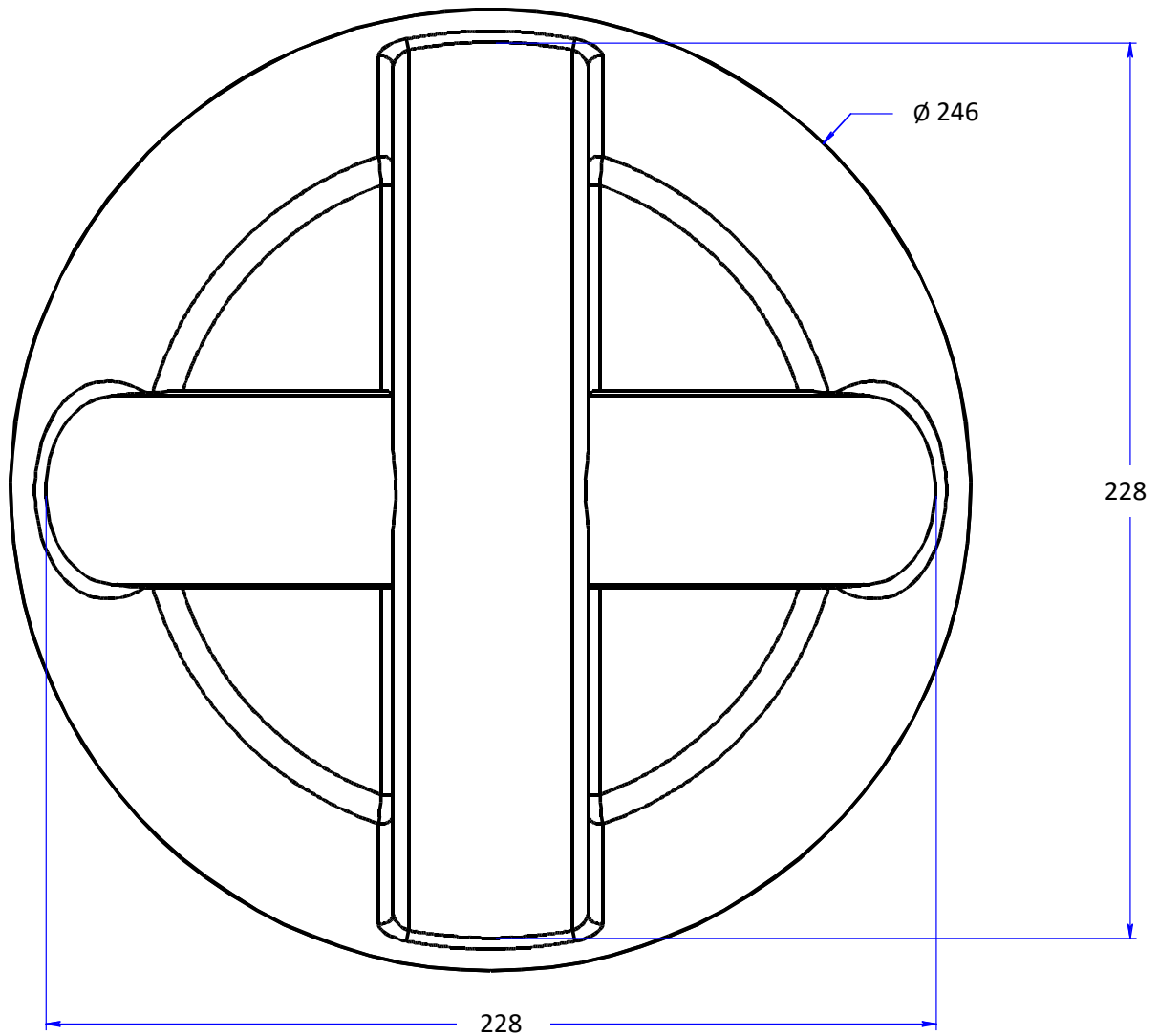
Indoors: keep dry and out of direct sunlight.

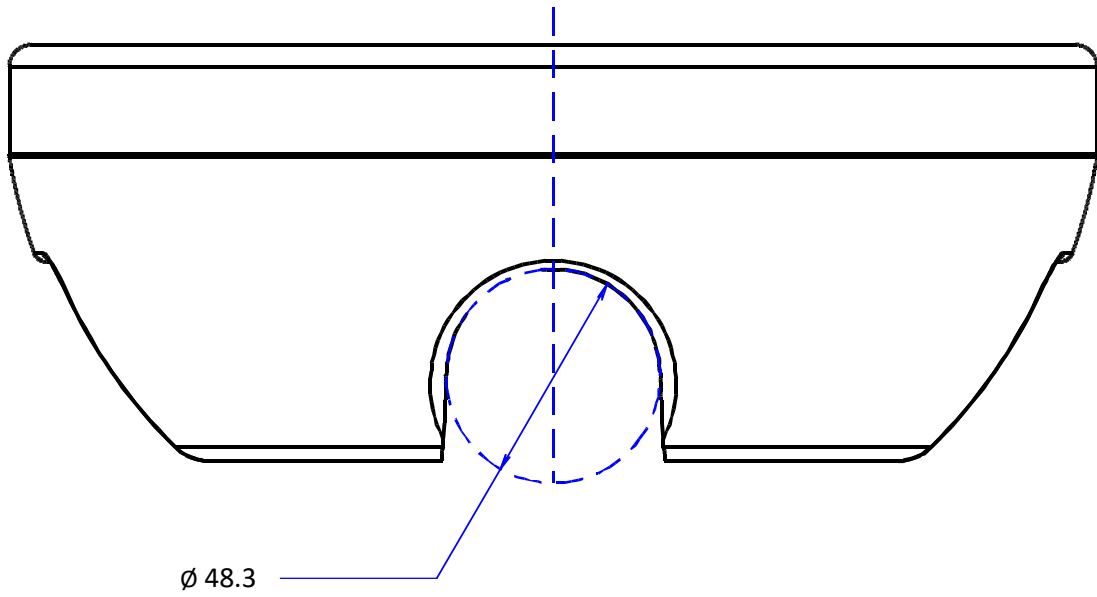
Optimum ambient temperature: 5°C to 30°C. Avoid extreme fluctuations of temperature.

### Other:

All parts designed for easy maintenance. Replacement pods can be swapped out by staff in seconds.

Mounting Points and Dimensions:





NinjaPods Pod Mounting Points and Dimensions  
(Dimensions in mm)



## ■ Features

- Universal AC input / Full range
- 2 pole AC inlet IEC320-C8
- Medical safety approved (2 x MOPP between primary to secondary)
- Suitable for BF application with appropriate system consideration
- Low leakage current <50uA
- No load power consumption<0.1W
- Energy efficiency level VI(Except 5~9V for Level V)
- Comply with EISA 2007/DoE,NRCAN, AU/NZ MEPS, EU ErP and meet CoC Version 5
- Built-in active PFC function
- High efficiency up to 91.5%
- Fanless design with -30~+60°C working temperature
- Class II power (without earth pin)
- Protections: Short circuit / Overload / Over voltage / Over temperature
- Fully enclosed plastic case
- LED indicator for power on
- 100% full load burn-in test



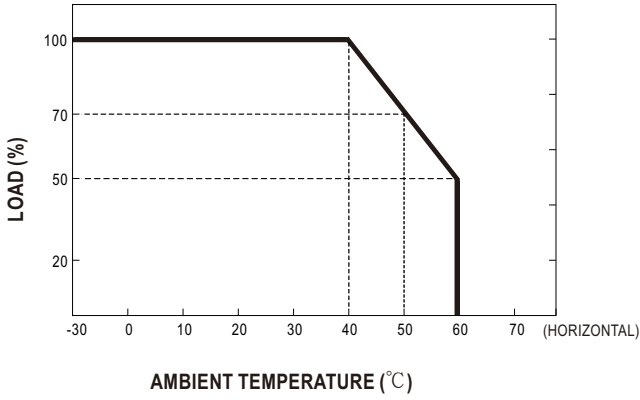
# Power Supply Specification

## SPECIFICATION

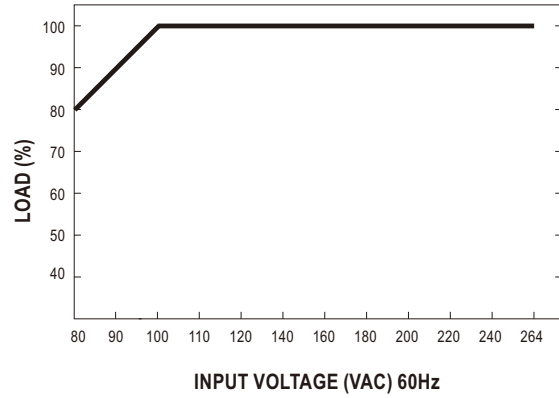
<b>PRODUCT</b>		<b>GSM60B12-P1J</b>	
<b>OUTPUT</b>	<b>SAFETY MODEL NO.</b>	GSM60B12	
	<b>DC VOLTAGE</b> <small>Note.2</small>	12V	
	<b>RATED CURRENT</b>	5A	
	<b>CURRENT RANGE</b>	0 ~ 5A	
	<b>RATED POWER (max.)</b>	60W	
	<b>RIPPLE &amp; NOISE (max.)</b> <small>Note.3</small>	100mVp-p	
	<b>VOLTAGE TOLERANCE</b> <small>Note.4</small>	± 3.0%	
	<b>LINE REGULATION</b> <small>Note.5</small>	± 1.0%	
	<b>LOAD REGULATION</b>	± 3.0%	
	<b>SETUP, RISE TIME</b> <small>Note.6</small>	1000ms, 30ms / 230VAC      1500ms, 30ms / 115VAC at full load	
<b>HOLD UP TIME (Typ.)</b>	50ms / 230VAC      15ms / 115VAC at full load		
<b>INPUT</b>	<b>VOLTAGE RANGE</b> <small>Note.7</small>	80 ~ 264VAC    120 ~ 370VDC	
	<b>FREQUENCY RANGE</b>	47 ~ 63Hz	
	<b>EFFICIENCY (Typ.)</b>	88%	
	<b>AC CURRENT (Typ.)</b>	1.4A / 115VAC    1A / 230VAC	
	<b>INRUSH CURRENT (Typ.)</b>	30A / 115VAC    65A / 230VAC	
	<b>LEAKAGE CURRENT(max.)</b>	Touch current < 50µA/264VAC	
<b>PROTECTION</b>	<b>OVERLOAD</b>	105 ~ 160% rated output power Protection type : Hiccup mode, recovers automatically after fault condition is removed	
	<b>OVER VOLTAGE</b>	12.6 ~ 16.2V Protection type : Shut down o/p voltage, re-power on to recover	
	<b>OVER TEMPERATURE</b>	Shut down o/p voltage, re-power on to recover	
<b>ENVIRONMENT</b>	<b>WORKING TEMP.</b>	-30 ~ +60°C (Refer to "Derating Curve")	
	<b>WORKING HUMIDITY</b>	20% ~ 90% RH non-condensing	
	<b>STORAGE TEMP., HUMIDITY</b>	-40 ~ +85°C, 10 ~ 95% RH	
	<b>TEMP. COEFFICIENT</b>	± 0.03% / °C (0 ~ 40°C)	
	<b>VIBRATION</b>	10 ~ 500Hz, 2G 10min./1cycle, period for 60min. each along X, Y, Z axes	
<b>SAFETY &amp; EMC (Note. 8)</b>	<b>SAFETY STANDARDS</b>	ANSI/AAMI ES60601-1 / ES60601-1-11, TUV EN60601-1 / 60601-1-11 approved	
	<b>ISOLATION LEVEL</b>	Primary-Secondary: 2xMOPP	
	<b>WITHSTAND VOLTAGE</b>	I/P-O/P:4KVAC	
	<b>ISOLATION RESISTANCE</b>	I/P-O/P:100M Ohms / 500VDC / 25°C / 70% RH	
	<b>EMC EMISSION</b>	Compliance to EN55011(CISPR11) class B, EN61000-3-2,3, FCC PART 15 class B,CAN ICES-3(B)/NMB-3(B)	
	<b>EMC IMMUNITY</b>	Compliance to EN61000-4-2,3,4,5,6,8,11, EN55024, EN60601-1-2, EN61204-3 medical level, criteria A	
<b>OTHERS</b>	<b>MTBF</b>	720K hrs min. MIL-HDBK-217F(25°C)	
	<b>DIMENSION</b>	125*50*31.5mm (L*W*H)	
	<b>PACKING</b>	0.32Kg; 40pcs/13.8Kg/1.05CUFT	
<b>CONNECTOR</b>	<b>PLUG</b>	See page 3 ; Other type available by customer requested	
	<b>CABLE</b>	See page 3 ; Other type available by customer requested	
<b>NOTE</b>	<ol style="list-style-type: none"> <li>All parameters are specified at 230VAC input, rated load, 25°C 70% RH ambient.</li> <li>DC voltage: The output voltage set at point measure by plug terminal &amp; 50% load.</li> <li>Ripple &amp; noise are measured at 20MHz by using a 12" twisted pair terminated with a 0.1uf &amp; 47uf capacitor.</li> <li>Tolerance: includes set up tolerance, line regulation, load regulation.</li> <li>Line regulation is measured from low line to high line at rated load.</li> <li>Length of set up time is measured at first cold start. Turning ON/OFF the power supply may lead to increase of the set up time.</li> <li>Derating may be needed under low input voltages. Please check the derating curve for more details.</li> <li>The power supply is considered as an independent unit, but the final equipment still need to re-confirm that the whole system complies with the EMC directives. For guidance on how to perform these EMC tests, please refer to "EMI testing of component power supplies." (as available on <a href="http://www.meanwell.com">http://www.meanwell.com</a>)</li> </ol>		



## Derating Curve

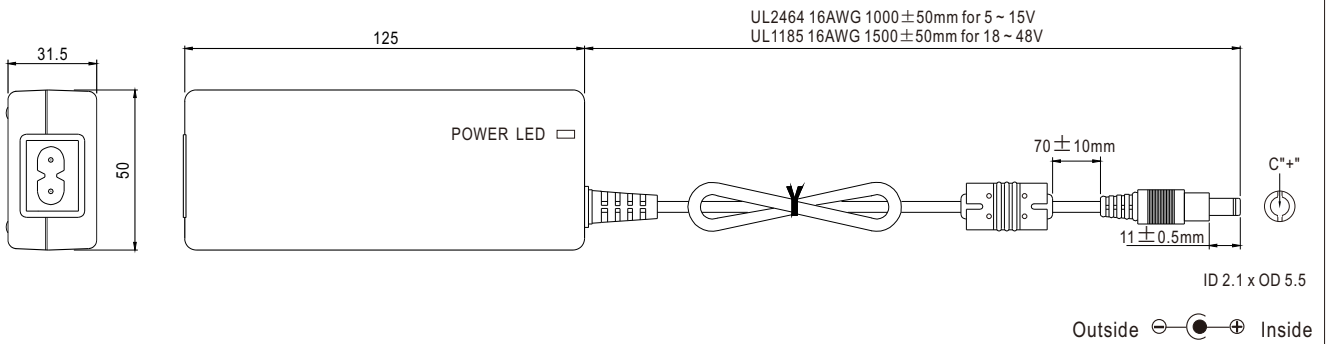


## Static Characteristics



## Mechanical Specification

Case No. GSM60B Unit:mm



## Plug Assignment

Standard plug: P1J

P1J	
P/N	OUTPUT
CENTER	+



## Rugged Interactive

Unit 1, Callywith Gate  
Callywith Industrial Estate, Bodmin  
Cornwall, UK  
PL31 2RQ

+44 (0) 1726 981 123

[www.rugged-interactive.co.uk](http://www.rugged-interactive.co.uk)

[hello@rugged-interactive.co.uk](mailto:hello@rugged-interactive.co.uk)

# NinjaPods Installation Checklist

---

Please complete this checklist after any installation:

### Check 1: Pre-power up checks.

- All parts mounted to a construction capable of supporting its weight and gameplay.
- All fixings are tight and secure.
- No signs of damage, component failure and/or missing parts.
- No trapped and/or pinched cables.
- No loose cables that could become a tripping hazard.
- All long cables are supported at least every 50 cm.
- Adequate strain relief provided for connection points.
- Kept out of direct sunlight during the day.
- All electric components away from contact with water.
- Protective plastic sheets removed from front graphic panels.

### Check 2: Plug into a mains socket and power up.

- Screen powers up.
- Display is as expected.
- Pods illuminate.

### Check 3: Game can be launched.

- Game can be launched via the quick start pods.
- Countdown starts.
- Pods illuminate and score when pressed.
- Live scoreboard change as pods are hit.
- Final score / winning player / team revealed at the end of the game.



**NinjaPods Order and Installation Manual:** *Installation Checklist*

**Check 4: Ready for use.**

Play area is clear.

Instruction / training carried out by an appropriate instructor to all new users.

**If anything unexpected occurs or problems persist after troubleshooting, call Rugged Interactive directly on +44 (0) 1726 833 882.**



## Rugged Interactive

Unit 1, Callywith Gate  
Callywith Industrial Estate, Bodmin  
Cornwall, UK  
PL31 2RQ

+44 (0) 1726 981 123

[www.rugged-interactive.co.uk](http://www.rugged-interactive.co.uk)

[hello@rugged-interactive.co.uk](mailto:hello@rugged-interactive.co.uk)

## Next Steps

---

### Train team members

Train your team members on how to use NinjaPods, having knowledge of the gameplay will help them encourage users. Inspire them to cheer and celebrate with the customers when they achieve high scores.

### Maintenance

General care and maintenance procedures for your Rugged Interactive product.

1. Inspect the product daily for any signs of damage or loose components. Repair or tighten as applicable.
2. Turn on the product, check the LEDs and sound is working as expected.
3. Start a game, check all pods/sensors work and react as expected. Please refer to the manual for instructions on gameplay.
4. If a pod has seven (7) or fewer working LEDs, we recommend replacing the pod.
5. We suggest non-solvent glass cleaning spray, avoid spraying directly onto the pods. Use a non-abrasive microfibre cloth and extremely light pressure when wiping the product. Too much pressure will scratch the graphics panel.
6. Only use accessories recommended by the manufacturer with the products. Accessories not recommended could cause serious damage.
7. Every three months check the fixings are tight.
8. Once a year, check the structure supporting the product is still solid.
9. We recommend turning the products off when they are not in use (close of business), this will help to extend the life of the product.

### Marketing

With this being such an eye-catching product, it is excellent for use in posts on social media, either featuring in photos or videos.

If you would like any help, guidance or examples of using this product in your marketing campaign, please contact Rugged Interactive and we will be able to assist with this.



## Rugged Interactive

Unit 1, Callywith Gate  
Callywith Industrial Estate, Bodmin  
Cornwall, UK  
PL31 2RQ

+44 (0) 1726 981 123

[www.rugged-interactive.co.uk](http://www.rugged-interactive.co.uk)

[hello@rugged-interactive.co.uk](mailto:hello@rugged-interactive.co.uk)

# Congratulations!

---

**Congratulations on your new Rugged Interactive product! Your customers are going to love this, and it is a great addition to your venue!**

If there is anything we can assist with or if you would be interested in information about any other Rugged Interactive products, then please do not hesitate to get in contact.